

Sink S3000

Bowl on the left

Kitchen Sinks

Code: 1384 062



DETAILS

Edge/Installation Type	Flush-mount Top-mount
Material	AISI 304 stainless steel
Texture	Foster brushed
Base	60 cm
Dimensions	873x513 mm
Standard fittings	Fixing hooks, gasket, drain, overflow and siphon, boxed packing
Built-in hole	View technical data sheet
Drainer	Yes
Width	87 cm

Bowl dimension 400x400mm

Number of bowls 1 bowl

Waste fitting 3,5" drain

FEATURES

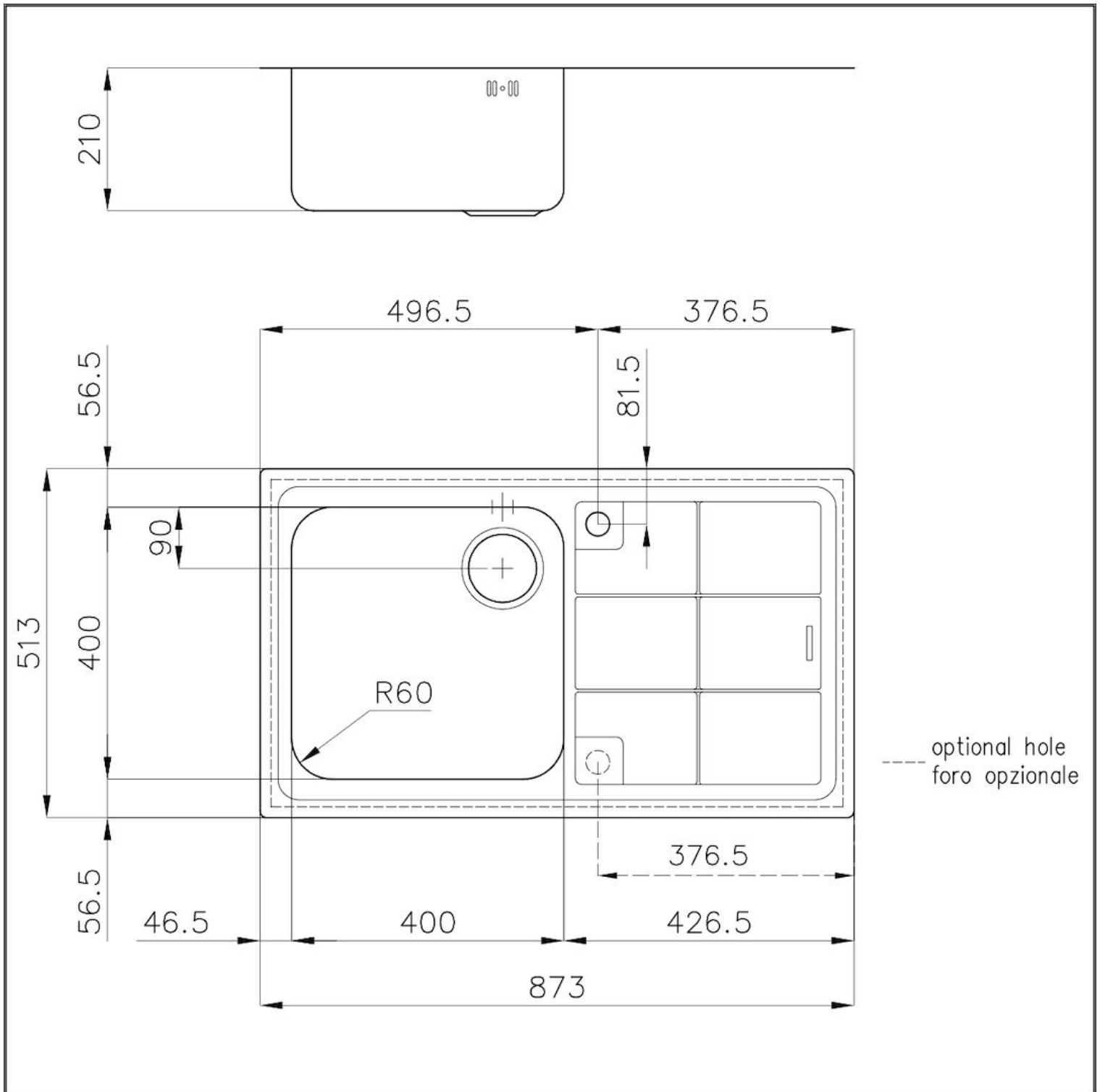
High thickness 1mm thick steel. A significant thickness, which guarantees the maximum sturdiness and durability.

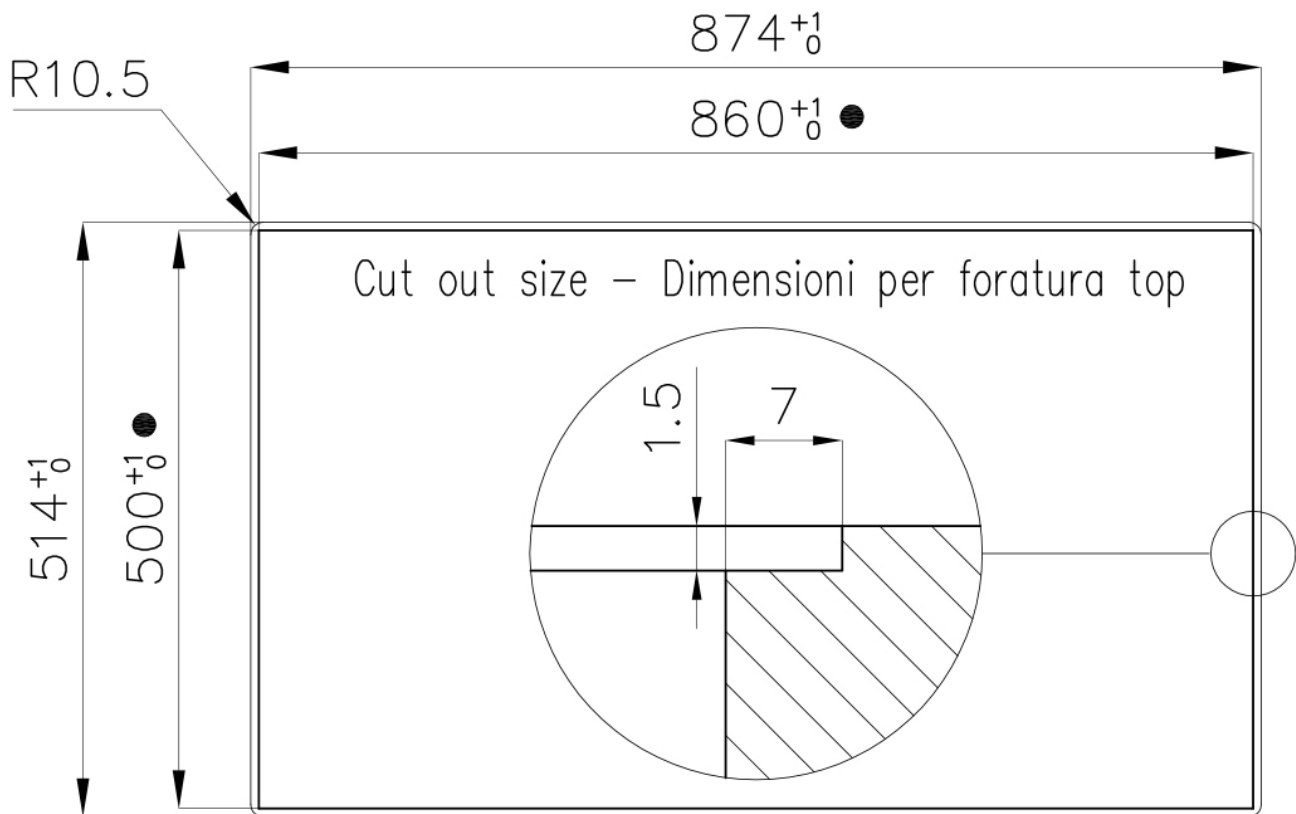
Basket 3,5" waste fitting The drain is equipped with a large 3.5" drain, with the practical basket cap that prevents the discharge of solid parts.

2nd / 3rd hole available The sink can be customized with the execution on request of additional holes, usable for double-hole mixers, for remote controlled drains or for the installation of soap dispensers. The positions are marked on the drawings with dotted line holes.

Deep bowls This bowls reach an important depth, over 20 cm, thanks to the advanced production technology, that can be offer great capiciency and praticity in all the washing operations.

TECHNICAL DATA





- Built-in cut out for FTS – Foratura per installazione FTS

GALLERY



OPTIONAL ACCESSORIES



Cestello inox
8612 000



Glass chopping board
8631 300



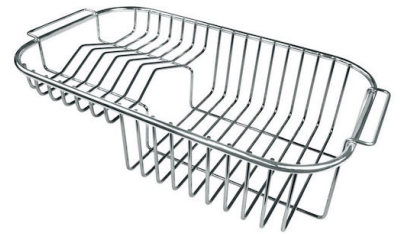
HPDE Chopping board
8657 001



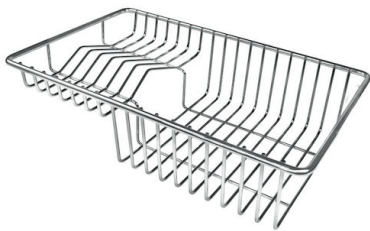
HPDE Twin chopping board
8644 101



Iroko-wood chopping board
8646 000



Stainless steel plate rack
8100 301



Stainless steel plate rack
8100 303



White bowl
8153 100

* only in combination with the accessory
8644 101

OPTIONAL AUTOMATIC WASTE FITTINGS



Automatic waste fitting
8407 100



Automatic waste fitting
8407 000



LIRA automatic waste fitting
8407 102



LIRA automatic waste fitting
8407 103